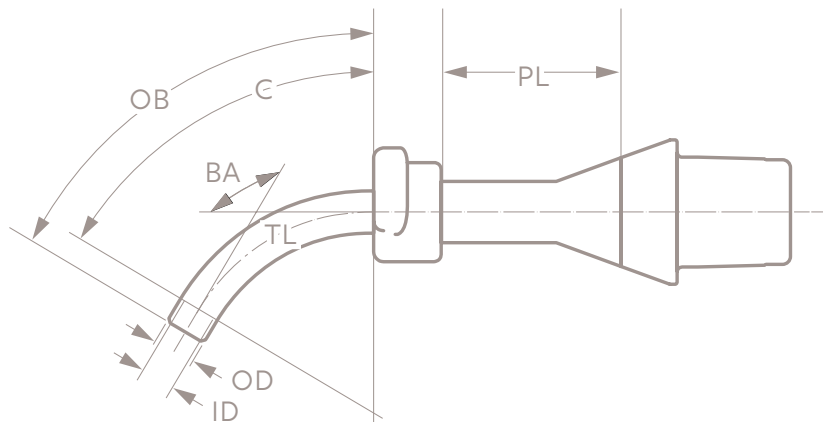


Technical Data

Tracoe Silcosoft for children

REF 370, REF 371, REF 372, REF 373



For reasons of clarity, this illustration shows proximal longer Tracoe Silcosoft tubes (REF 371 and REF 373)

Size	ID	OD	C	TL	OB	BA	PL
	mm	mm	mm	mm	mm	°	mm
2.5	2.5	4.4	29.0	38	40	120	20
3.0	3.0	4.9	29.0	39	41	120	20
3.5	3.5	5.4	29.0	40	43	120	25
4.0	4.0	6.0	29.0	41	44	120	25
4.5	4.5	6.6	29.0	42	45	120	30
5.0	5.0	7.3	29.0	44	48	120	30
5.5	5.5	8.4	29.0	46	50	120	30

ID: inside diameter (clear width) of tube; **OD:** outside diameter of tube;
C: length; **TL:** length along centre line from start of neck flange to bottom of tube; **OB:** length along outer bend from start of neck flange to bottom of tube; **BA:** bending angle **PL:** proximal longer

Head office:
Atos Medical AB
Hyllie Boulevard 17
SE-215 32 Malmö, Sweden
Tel: +46 (0) 415 198 00
Email: info@atosmedical.com

Manufacturer:
Tracoe Medical GmbH
Reichelsheimer Straße 1/3
55268 Nieder-Olm, Germany

MC3052-TcEN 202306

© Coloplast A/S. All rights reserved.
Atos and the Atos Medical logo are trademarks of Coloplast A/S.